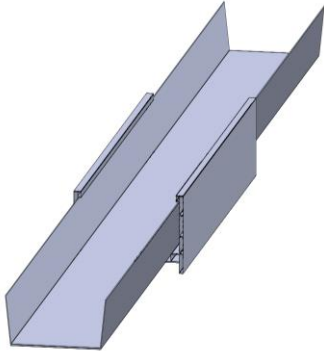


HYDROPONIC FARMING SYSTEM

DRIP SYSTEMS

Drip irrigation is defined as any watering system that delivers a slow moving supply of water at a gradual rate directly to the soil. Drip irrigation, which is also sometimes referred to as micro-irrigation or trickle irrigation, consists of a network of gutters, tubing valves, and emitters. One of the most common and successful ways of commercially greenhouse growing via drip systems is with PVC ROLLABLE GUTTER .



NFT - NUTRIMENT FILM TECHNIQUE

A hydroponic growing technique that irrigates plants with a shallow stream of nutrient solution flowing through a growing channel.



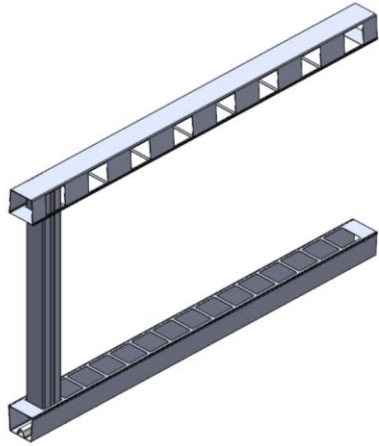
VERTICAL RACKING

Rack systems are stackable shelves outfitted with recirculating hydroponics and LED lighting, often used in warehouse and container farms. This type of grow can be installed and operated by commercial indoor farms, vertical farms entities.



VERTICAL TOWERS

Tower systems are usually aeroponic or hydroponic by design. These units stand vertically and are often used in container farms due to their space efficiency. PVC VERTICAL TOWERS are the most effective system price wise,



CHANNEL SYSTEM ON POST

The channel system on posts allows the maintenance of plants at the desired height. The hydroponic grow bags are supported by a gutter with drainage along its entire length. PVC MULTI-CHAMBER REINFORCED GUTTER system is the best solution



Website : www.quadraplast.com

18, Rue Sicard, Sainte-Thérèse, (Québec), CANADA, J7E 3W7

T : 1.514.206.8726 - E-mail : alain.laniel@quadraplast.com